

SPIRE

PRI-Saver™

Water Conservation System for Small
and Medium Sterilizers

PRIMUS PRI-Saver™ Water Conservation Vacuum Source

Standard Steam Sterilizers dispose of water several times per cycle. Wasting valuable resources up to 300 gallons per cycle depending on chamber size.

**When sustainability is key to your organization,
PRI-Saver is part of the solution**

PRI-Saver™ saves up to 95% on water used to perform a standard sterilizer cycle. On average, saving thousands of gallons of water annually. **New digital controls** ensure accurate measurement and maximum conservation.

New building designs embrace the LEED® green building program. With the PRIMUS PRI-Saver: even a traditional vacuum source can help contribute towards earning points needed for LEED certification.



How it works

PRI-Saver puts water to use in conservation. A self-contained system utilizes house water in a controlled manner to provide for vacuum as the source for steam sterilizers.

- Simple, minimal components
- Operates on 110 VAC
- Does not impact sterilizer performance
- Solves low inlet water pressure problems
- Aftermarket kit available
- Falls under standard PRIMUS warranty

Select Option P24 when ordering PRI-Saver™.



Benefits of PRI-Saver™



**Sustainability - lower
water usage up to 95%**



**Space saving
integral design**



**ROI - utility
cost savings**

**Spire at your side for
sustainable solutions**

Form 2124-1.13/031521

CSI JEWETT

Concealed Transport Carts

Model CCT101

Ensuring efficiency for all of your body handling needs

CSI JEWETT CCT101 Concealed Body Transport Cart provide a simple solution for any medical facility. Equipped with large swivel casters, these lightweight carts are pushed to the bedside with minimal effort. The nurse uses the hand crank to adjust the cart to the height of the bed, transferring the deceased to the morgue tray. After lowering the tray to normal height and covering the unit with the lightweight false top and vinyl cover sheet, the cadaver is ready for transport.

Conceal To Shield

During transportation of the body to the morgue, the cart appears empty, shielding passersby from the unsettling sight of a cadaver. Additionally oversized casters and lightweight aluminum construction reduces the physical impact of transport for the nursing staff.

Casters

Unit includes four (4) 6 inch (152 mm) diameter, heavy-duty, rubber-tired, ball bearing casters. Casters provide close ratio turning radius to increase maneuverability in small areas. To ensure safety, two casters are provided with locking brakes and two with swivel locks.

Spire at your side

Hand Crank

- Elevates tray height from 22 to 35 inches (559 to 889 mm) above floor; for easy adjustment to hospital bed height
- Exclusive center screw-lift mechanism operates from rear side of cart to prevent sticking or binding during crank operation
- Folds away during transport



6 inch heavy-duty casters provide easy maneuverability



Easy access rear mounted lift mechanism folds away during transport

Frame

- Lightweight aluminum design permits one-person operation
- Sturdy construction handles up to 300 lbs (135 kg)
- False top lifts off for easy transfer of cadaver to standard morgue tray

Cover

- Full-sized contoured white drape sheet provides complete cadaver coverage
- Custom-fitted gray vinyl top is washable and lightweight

Options and Accessories

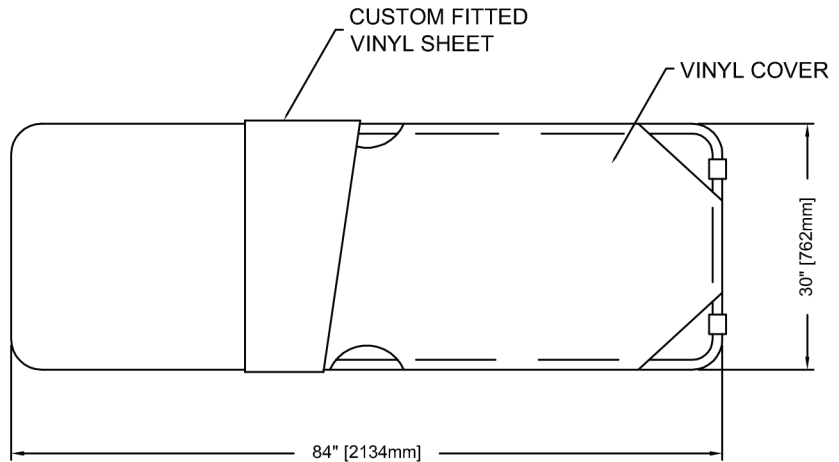
- Stainless steel body tray (MT1)
- Replacement white contoured cover sheet (APY 046A)



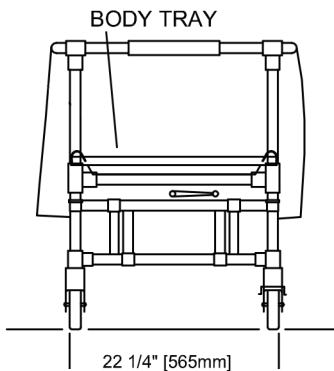
To ensure that all of your body handling needs are met in the most efficient manner possible, CSI JEWETT offers a full range of body handling equipment. Visit SPIRE-is.com to learn more.

Representative Drawing

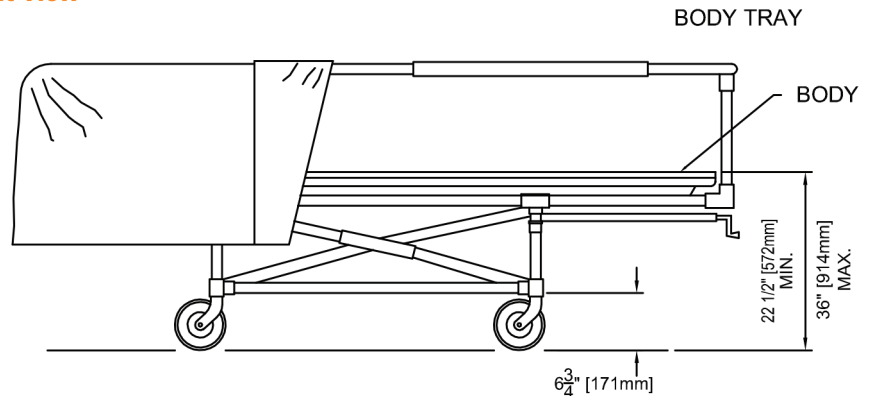
Top View



End View



Front View



CCT101 Concealed Transport Cart TDS_M1011_1.00 2021-0114